

PLEASE CHECK WWW.MOLEX.COM FOR LATEST PART INFORMATION

Part Number: [0549320000](#)
Status: **Active**
Overview: [mtc multi terminal connector](#)
Description: MTC™ Plastic Lever, For Spring Type Receptacle

Documents:

[Drawing \(PDF\)](#) [RoHS Certificate of Compliance \(PDF\)](#)

General

Product Family	Accessories
Series	54932
Component Type	Actuator
Overview	mtc multi terminal connector
Product Name	MTC™

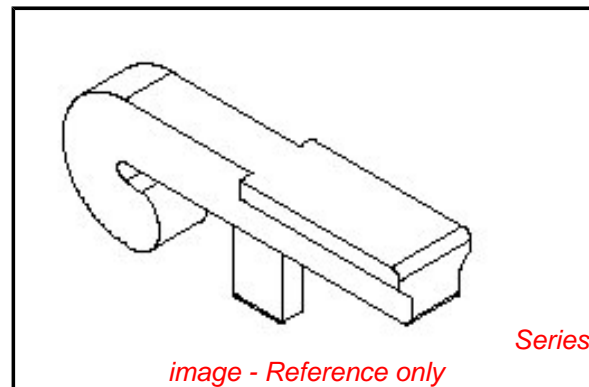
Physical

Circuits (Loaded)	N/A
Color - Resin	Ivory
Material - Resin	Nylon
Packaging Type	Bag

Material Info

Reference - Drawing Numbers

Product Specification	RPS-51241-005, RPS-51241-006, RPS-51241-007
Sales Drawing	SD-54932-003



EU RoHS

**ELV and RoHS
Compliant**
**REACH SVHC
Contains SVHC: No**
**Halogen-Free
Status**

China RoHS



**Need more information on product
environmental compliance?**

Email productcompliance@molex.com
 For a multiple part number RoHS Certificate of
 Compliance, [click here](#)

Please visit the [Contact Us](#) section for any
 non-product compliance questions.

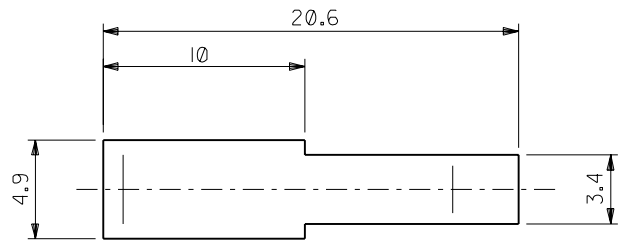
Search Parts in this Series

[54932Series](#)

Use With

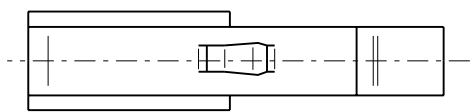
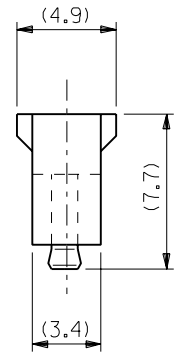
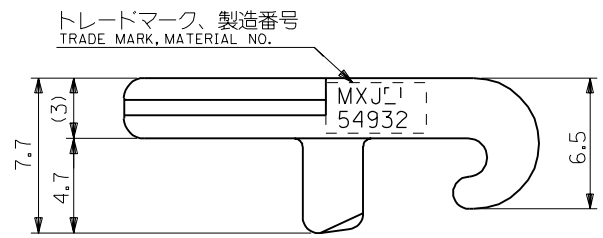
54927 , 54928

DWG. NO.
SD-54932-003



注記
NOTES:

- 材質: ガラス無し66ナイロン, UL94V-0, ナチュラル(白色)
MATERIAL: 66 NYLON, GLASS NON FILLED, UL94V-0, NATURAL(WHITE)



54932-0000
製品番号
MATERIAL NO.

DIMENSIONS:
 mm INCH mm ONLY
SHT REV
REVISE ON CAD ONLY

GENERAL TOLERANCES:
(UNLESS SPECIFIED)
一般公差

10 UNDER 未満	±0.2
10 OVER 以上 30 UNDER 未満	±0.25
30 OVER 以上	±0.3
ANGLE 角度	±3°

SCALE 4-1
DESIGN UNITS mm INCH
THIRD ANGLE PROJECTION

DRAWN BY & DATE
K Kobayashi '02/01/17
CHECKED BY & DATE
N. Matsueda '02/01/17
APPROVED BY & DATE
Y. Ota '02/01/17

CAD FILENAME
54932003.S01

TITLE:
MTC (MULTI TERMINAL CONN.)
REC. LEVER

MOLEX INCORPORATED

MATERIAL NO. SEE CHART
DRAWING NO. SD-54932-003
SHEET NO. 1 OF 1

EC NO. DRWN: CHK: APPR:	EC NO. DRWN: CHK: APPR:	EC NO. DRWN: CHK: APPR:	EC NO. DRWN: CHK: APPR:	EC NO. J2002-0373 DRWN: K.KOBAYASHI '02/01/17 CHK: N.MATSUJURA '02/01/17 APPR: Y.ITO '02/01/17	DESCRIPTION MATERIAL 材料 FINISH 仕上げ WIRE RANGE 適用電線範囲 INS. RANGE 被覆外径	MATERIAL 材料 FINISH 仕上げ WIRE RANGE 適用電線範囲 INS. RANGE 被覆外径	注記参照 SEE NOTES	REV 0
----------------------------------	----------------------------------	----------------------------------	----------------------------------	---	--	---	-------------------	----------

DO NOT SCALE DRAWING

A
54932003.S01